

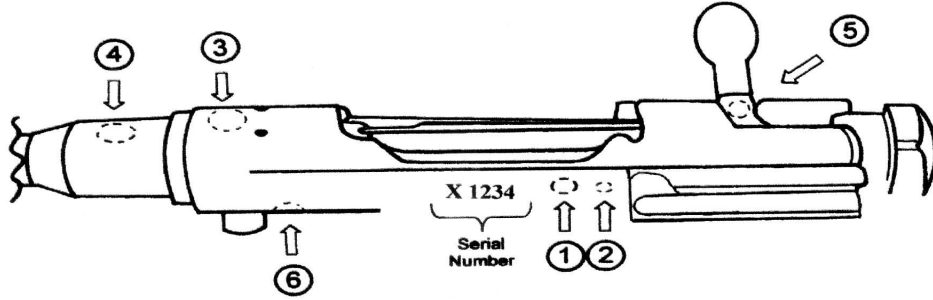
Mexican Model 1913 Data Sheet

Name: _____ Telephone No. _____
 (voluntary) E-mail address: _____

Address _____ City _____ State _____ Zip _____

Rifle Carbine Serial Number: _____

Receiver Markings Key: Circled numbers (① - ⑥) correspond to sections below.



① Inspection Marking: M. <input type="checkbox"/> O. <input type="checkbox"/> Other (draw)	② Factory Inspection Marking: A. <input type="checkbox"/> 小 (KO) O. <input type="checkbox"/> Other (draw)
---	---

③ Breech Top: L. <input type="checkbox"/> M. <input type="checkbox"/> O. <input type="checkbox"/> Other (draw)	④ Barrel Step Top: A. <input type="checkbox"/> B. <input type="checkbox"/> O. <input type="checkbox"/> Other (draw)
---	--

⑤ Bolt Handle:
Top: Serial Number: Y. Yes # _____ N. No Bottom: A. O. Other (draw) N. None

⑥ Bottom of Receiver:
 Assembly Number _____ N. None T. Too much trouble

7. Rear Sight Ladder:
 A. M. O. P.

8. Bolt Latch Release Number: # _____ (located underneath the latch?) N. None
 9. Caliber: A. 6.5mm Japanese (6.5 x 50SR) D. 7mm Mauser (7x 57)
 10. Cleaning Rod: A. White (Bright Metal) B. Blue
 11. Is the serial number repeated on the cleaning rod? Y. Yes # _____ N. None R. No Rod
 12. Stock Stamping / Marking: A. D.B.P. N. None O. Other (draw)
 13. Is the serial number repeated on the dust cover? Y. Yes # _____ N. No Dust Cover

Comments / Known History: _____

Rev 1/07-CT

Send To: F. C. Allan, 20 Courtney Place, Palm Coast, FL U.S.A. 32137-8126
 questions? contact Mr. Allan at: the_allans_fcla@yahoo.com